

## DS-2CD2763G0-IZS 6 MP IR VF Dome Network Camera



### Key Features

- 1/2.9" Progressive Scan CMOS
- 3072 × 2048@20 fps
- 2.8 to 12 mm varifocal lens
- Color: 0.01 Lux @ (F1.2, AGC ON), 0.018 Lux @ (F1.6, AGC ON), 0 Lux with IR
- H.265+, H.265, H.264+, H.264
- 2 Behavior analyses
- 120dB WDR
- BLC/3D DNR/ROI
- IP67, IK10
- Built-in micro SD/SDHC/SDXC card slot, up to 128 GB



## Specifications

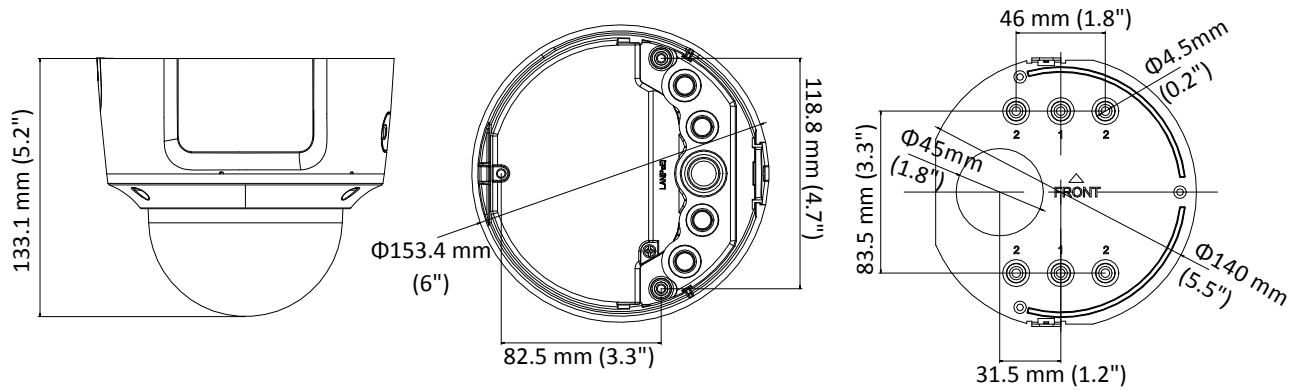
<b>Camera</b>	
Image Sensor	1/2.9" Progressive Scan CMOS
Min. Illumination	Color: 0.01 Lux @ (F1.2, AGC ON), 0.018 Lux @ (F1.6, AGC ON), 0 Lux with IR
Shutter Speed	1/3 s to 1/100,000 s
Slow Shutter	Yes
Auto-Iris	No
Day & Night	IR Cut Filter
Digital Noise Reduction	3D DNR
WDR	120dB
3-Axis Adjustment	Pan: 0° to 355°, tilt: 0° to 75°, rotate: 0° to 355°
<b>Lens</b>	
Focal Length	2.8 to 12 mm
Aperture	F1.6
Focus	Auto
FOV	Horizontal field of view: 88° to 27° Vertical field of view: 56° to 18° Diagonal field of view: 110° to 33°
Lens Mount	Φ14
<b>IR</b>	
IR Range	Up to 30 m
Wavelength	850nm
<b>Compression Standard</b>	
Video Compression	Main stream: H.265/ H.264 Sub-stream: H.265/H.264/MJPEG Third stream: H.265/H.264
H.264 Type	Main Profile/High Profile
H.264+	Main stream supports
H.265 Type	Main Profile
H.265+	Main stream supports
Video Bit Rate	32 Kbps to 16 Mbps
Audio Compression	G.711/G.722.1/G.726/MP2L2/PCM
Audio Bit Rate	64Kbps(G.711)/16Kbps(G.722.1)/16Kbps(G.726)/32-192Kbps(MP2L2)
<b>Smart Feature-set</b>	
Behavior Analysis	Line crossing detection, intrusion detection, unattended baggage detection, object removal detection
Face Detection	Yes
Region of Interest	Support 1 fixed region for main stream and sub-stream
<b>Image</b>	
Max. Resolution	3072 × 2048
Main Stream	50Hz: 20 fps (3072 × 2048, 3072 × 1728, 2944 × 1656), 25 fps (2560 × 1440, 1920 × 1080, 1280 × 720) 60Hz: 20 fps (3072 × 2048, 3072 × 1728, 2944 × 1656), 30fps (2560 × 1440, 1920 × 1080, 1280 × 720)
Sub-Stream	50Hz: 25fps (640 × 480, 640 × 360, 320 × 240) 60Hz: 30fps (640 × 480, 640 × 360, 320 × 240)

Third Stream	50Hz: 25fps (1280 × 720, 640 × 360, 352 × 288) 60Hz: 30fps (1280 × 720, 640 × 360, 352 × 240)
Image Enhancement	BLC/3D DNR
Image Settings	Rotate mode, saturation, brightness, contrast, sharpness adjustable by client software or web browser
Target Cropping	No
Day/Night Switch	Day/Night/Auto/Schedule/Triggered by Alarm In
<b>Network</b>	
Network Storage	Support Micro SD/SDHC/SDXC card (128G), local storage and NAS (NFS,SMB/CIFS), ANR
Alarm Trigger	Motion detection, video tampering, network disconnected, IP address conflict, illegal login, HDD full, HDD error
Protocols	TCP/IP, ICMP, HTTP, HTTPS, FTP, DHCP, DNS, DDNS, RTP, RTSP, RTCP, PPPoE, NTP, UPnP, SMTP, SNMP, IGMP, 802.1X, QoS, IPv6, Bonjour
General Function	One-key reset, anti-flicker, three streams, heartbeat, password protection, privacy mask, watermark, IP address filter
Firmware Version	V5.5.3
API	ONVIF (PROFILE S, PROFILE G), ISAPI
Simultaneous Live View	Up to 6 channels
User/Host	Up to 32 users 3 levels: Administrator, Operator and User
Client	iVMS-4200, Hik-Connect, iVMS-5200
Web Browser	IE8+, Chrome 31.0-44, Firefox 30.0-51, Safari 8.0+
<b>Interface</b>	
Audio	1 input (line in, 3.5 mm), 1 output (line out, 3.5 mm), mono sound
Alarm	1 input, 1 output
Communication Interface	1 RJ45 10M/100M self-adaptive Ethernet port
Video Output	1Vp-p composite output (75 Ω/BNC) (For adjustment only)
On-board storage	Built-in Micro SD/SDHC/SDXC slot, up to 128 GB
SVC	H.264 and H.265 encoding support
Reset Button	Yes
<b>Audio</b>	
Environment Noise Filtering	Yes
Audio Sampling Rate	8kHz/16kHz/32kHz/44.1kHz/48kHz
<b>General</b>	
Operating Conditions	-30 °C to +60 °C (-22 °F to +140 °F), Humidity 95% or less (non-condensing)
Power Supply	12 VDC ± 25%, PoE (802.3af) Terminal block for DC input
Power Consumption and Current	12 VDC, 0.8A, max. 10W PoE (802.3af, 36V to 57V), 0.4A to 0.2A, max. 12W
Protection Level	IP67, IK10
Material	Metal
Dimensions	Φ153.4 × 133.1 mm (Φ6" × 5.2")
Weight	Camera: 1287 g (2.8 lb.)

## Available Model:

DS-2CD2763G0-IZS(2.8 to 12 mm)

## Dimensions



## Accessories



DS-1471ZJ-155  
Pendant Mount



DS-1473ZJ-155  
Wall Mount



DS-1475ZJ-SUS  
Vertical Pole Mount



DS-1476ZJ-SUS  
Corner Mount

Distributed by



## HIKVISION

### Headquarters

No.555 Qianmo Road, Binjiang District,  
Hangzhou 310051, China  
T +86-571-8807-5998  
overseasbusiness@hikvision.com

Hikvision USA  
T +1-909-895-0400  
sales.usa@hikvision.com

Hikvision Europe  
T +31-23-55-42-770  
info.eu@hikvision.com

Hikvision Middle East  
T +971-4-8816086  
salesme@hikvision.com

Hikvision Russia  
T +7-495-669-67-99  
saleru@hikvision.com

Hikvision India  
T +91-22-28469900  
sales@pramahikvision.com

Hikvision Italy  
T +39-0438-6902  
info.it@hikvision.com

Hikvision France  
T +33(0)1-85-330-450  
info.fr@hikvision.com

Hikvision Spain  
T +34-91-737-16-55  
info.es@hikvision.com

Hikvision Poland  
T +48-22-460-01-50  
poland@hikvision.com

Hikvision UK  
T +01628-902140  
support.uk@hikvision.com

Hikvision Singapore  
T +65-6684-4718  
sg@hikvision.com

Hikvision Oceania  
T +61-2-8599-4233  
salesau@hikvision.com

Hikvision Canada  
T +1-909-895-0400  
sales.usa@hikvision.com

Hikvision Korea  
T +82-31-731-8841  
sales.korea@hikvision.com

Hikvision Brazil  
T +55 11 3318-0050  
Latam.support@hikvision.com

Hikvision Africa  
T +27 (10) 0351172  
sale.africa@hikvision.com

Hikvision Hong Kong  
T +852-2151-1761